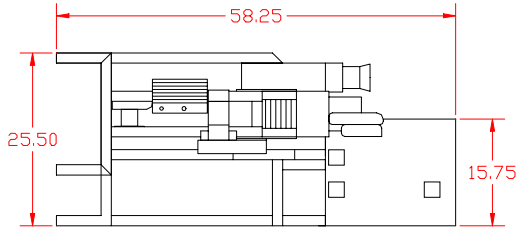
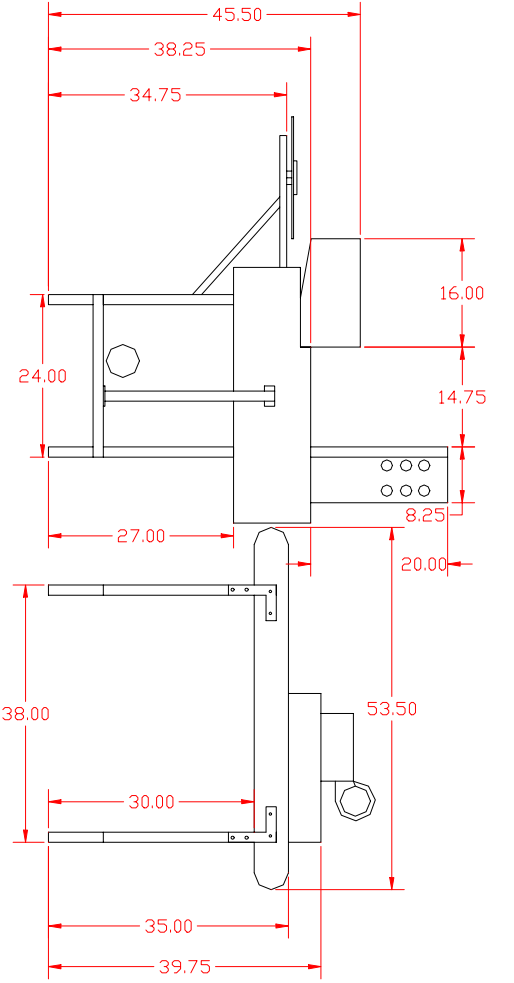
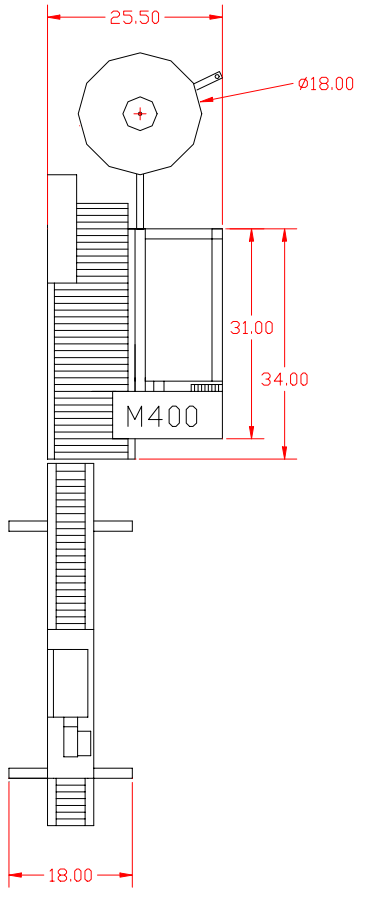


REVISIONS			
REV	DESCRIPTION	DATE	APPROVED
A	INITIAL RELEASE		



1. DE-BURR AND BREAK ALL SHARP EDGES .015 MIN.
 NOTES: UNLESS OTHERWISE SPECIFIED

UNLESS OTHERWISE SPECIFIED
 DIMENSIONS ARE IN INCHES
 TOLERANCES ON DIMENSIONS

XX = ±.01
 XXX = ±.005
 TOL. ON ANGLES = ±1/2°

MARBURG IND.
 TEL: 760-727-3762
 FAX: 760-727-5502
 VISTA, CA. 92084

APPROVALS	DATE
DRAWN GALARGON	11/12/02
CHECKED ENGR K.STRUB	

M400 FLOORPLAN

SIZE: A PART NO. FLOORPLAN REV. A

SCALE: 1 OF 1 SHEET 1